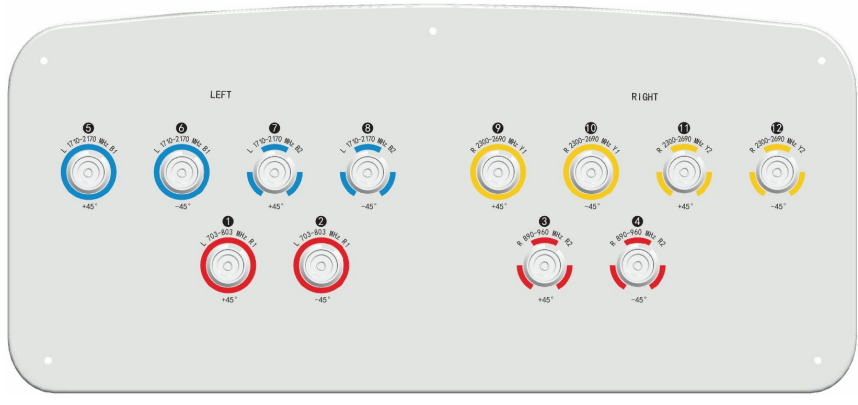
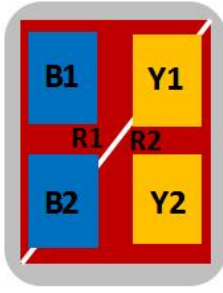


2xLow(703-803MHz)+2xLow(890-960MHz)+4xHigh(1710-2170MHz)+4xHigh(2300-2690MHz)
65° +65°+65° +65° HBW /11&11&12&12dBi / 0T
12 x 4.3-10 Female Connectors /4+4+4/0.5m

Electrical Specifications(BASTA)				
Frequency Range(MHz)	703-803 (R1)	890-960 (R2)	2×(1710-2170)(B1,B2)	2×(2300-2690)(Y1,Y2)
Polarization	±45	±45	±45	±45
Electrical Downtilt(°)	0	0	0	0
Gain (dBi)	11.0±0.4	11.5±0.3	12.3±0.3	12.8±0.3
First upper Side Lobe Suppression (dB)	≥20	≥21	≥19	≥20
Horizontal 3dB Beam Width (°)	70±8	65±6	65±6	62±8
Vertical 3dB Beam Width(°)	35±2.5	30±2.1	32±2.0	30±2.3
Cross-Polar Ratio @0°(dB)	≥20	≥20	≥23	≥20
Front to Back Ratio 180°±30° (dB)	≥25	≥26	≥27	≥28
VSWR	< 1.5		< 1.5	
PIM ³ , @2x20W (dBc)	≤ -153		≤ -153	
Isolation: intra-system (dB)	≥25		≥25	
Isolation: inter-system (dB)	≥25		≥25	
Max. power per port(W)	500		300	
Impedance (Ω)	50			
Grounding	DC Ground			

Mechanical Specifications(BASTA)		
Connector	12×4.3-10 female , Bottom	
Antenna dimensions (H x W x D) (mm)	500×499×198	
Packing dimensions (H x W x D) (mm)	680×585×285	
Antenna weight (kg)	10.5	
Clamps weight (kg)	2.0	
Packing weight(kg)	14.5	
Diameter of installation pole	φ50 ~φ110mm	
Radome material	Fiberglass	
Mechanical Tilt Range (°)	0~10	
Radome color	Light grey	
Operational temperature (°C)	-40 to +60	
Wind load @150km/h (N)	230/92/277(Frontal/Lateral/Rear side)	
Max. operational wind speed (km/h)	241	
Layout		

12 Port Antenna

		
Frequency Range	Array	Connector
703-803MHz	R1	1-2
890-960MHz	R2	3-4
1710-2170MHz	B1/B2	5-6/7-8
2300-2690MHz	Y1/Y2	9-10/11-12

Pattern			
703-803MHz	890-960MHz	1710-2170MHz	2300-2690MHz
